

AB, K, RV, RV SERIES

NOM. SIZE	"A" O.D.	"B" O.D.	"C"	"D"	"E"	"F"	"G"
8"	7 3/4"	8 1/8"	15"	7 1/2"	6 7/32"	25 7/16"	24 1/8"
10"	9 3/4"	10 1/8"	15"	7 1/2"	7 27/32"	31 23/32"	30 1/2"
12"	11 3/4"	12 1/8"	15"	7 1/2"	9 7/15"	38"	36 3/4"
14"	13 3/4"	14 1/8"	15"	7 1/2"	11 1/16"	44 1/4"	43"
16"	15 3/4"	16 1/8"	15"	7 1/2"	12 5/8"	50 9/15"	49 1/4"
18"	17 3/4"	18 1/8"	15"	7 1/2"	14 9/16"	56 27/32"	55 1/2"
20"	19 3/4"	20 1/8"	15"	7 1/2"	15 7/8"	63 1/8"	61 7/8"
22"	21 3/4"	22 1/8"	16"	8"	17 1/2"	69 13/32"	68 1/8"
24"	23 3/4"	24 1/8"	18"	9"	19 1/8"	75 11/16"	74 1/2"
26"	25 3/4"	26 1/8"	20"	10"	20 3/4"	82"	80 3/4"
28"	27 3/4"	28 1/8"	22"	11"	22 5/8"	88 1/4"	87 1/16"

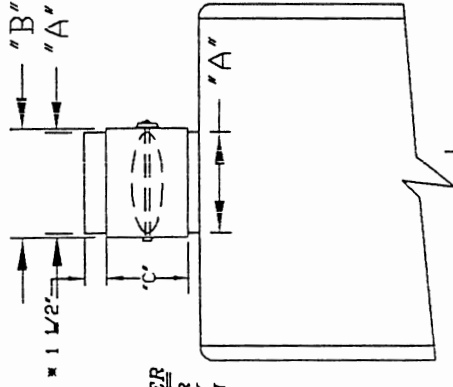
CLM SERIES

NOM. SIZE	"A" O.D.	"B" O.D.	"C"	"D"	"E"
10"	9 3/4"	8 1/8"	15"	7 1/2"	6 7/32"
12"	11 3/4"	12 1/8"	15"	7 1/2"	9 7/15"
14"	13 3/4"	14 1/8"	15"	7 1/2"	11 1/16"
16"	15 3/4"	16 1/8"	15"	7 1/2"	12 5/8"
18"	17 3/4"	18 1/8"	15"	7 1/2"	14 9/16"
20"	19 3/4"	20 1/8"	15"	7 1/2"	15 7/8"
22"	21 3/4"	22 1/8"	16"	8"	17 1/2"

DR SERIES

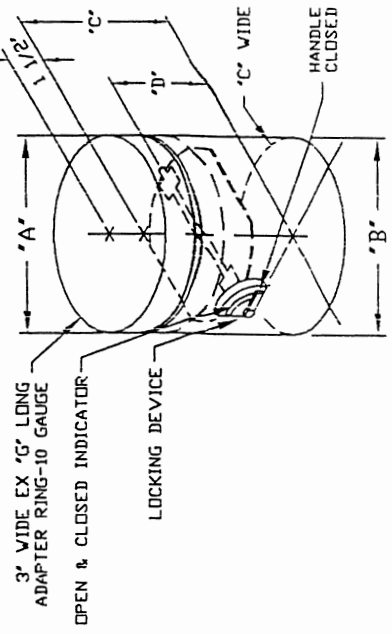
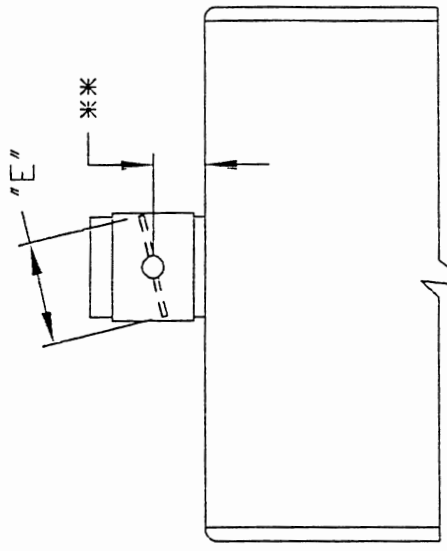
NOM. SIZE	"A" O.D.	"B" O.D.	"C"	"D"	"E"
8"	7 3/4"	8 1/8"	15"	7 1/2"	6 7/32"

* NOT ON CLM SERIES

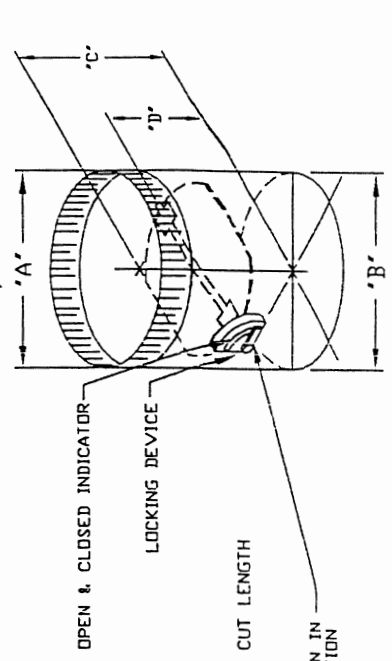


MANUAL DRAFT ADJUSTMENT DAMPER
 AVAILABLE AS OPTIONAL EQUIPMENT FOR
 FORCED DRAFT BOILERS WHERE CHIMNEY
 AND BREACHING DESIGN INDICATES HIGH
 NEGATIVE DRAFT POTENTIAL, ALSO
 ABOVE BAROMETRIC DAMPERS, DRAFT
 HOODS, OR DRAFT CONTROLS.

**DIM. SHOULD BE EQUAL TO 'B' DIM. DOUBLED



AB, RV, AND RV SERIES
 10 DR 13 GA.



K, DR, AND CLM SERIES
 22 GA.

REVISION # 7

APPROVED BY
 INITIAL: Cam DATE: 5-24-04

ENGINEERING MANAGER

BRYAN STEAM LLC
 783 NORTH CHILI AVE PERU, INDIANA 46970

DWG TITLE:
MANUAL DRAFT ADJUSTMENT DAMPER

DRAWN BY: RB	DATE: 6-23-98	DRAWING #: A11310	DISK: FS	FORM NO. 2063
-----------------	------------------	----------------------	-------------	------------------