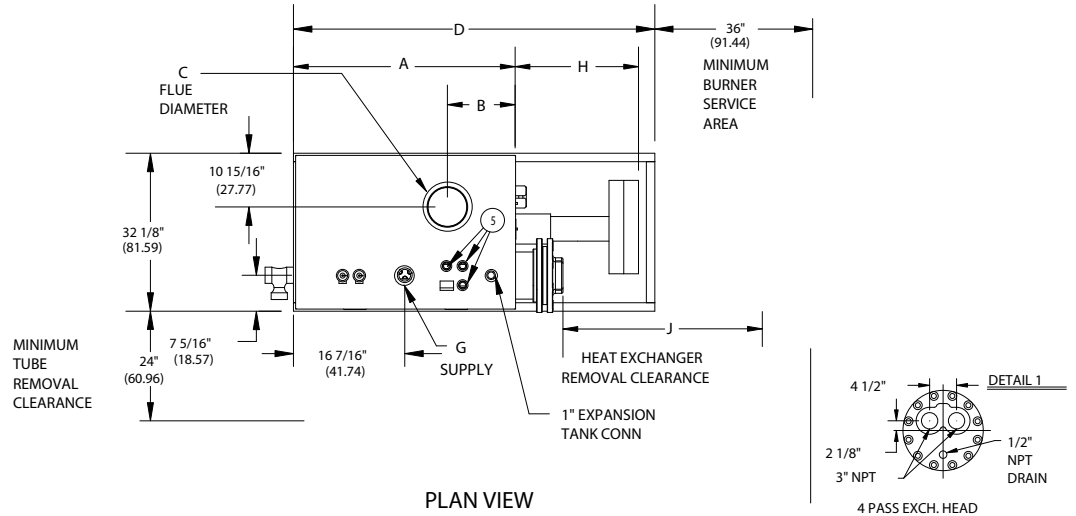


DR SERIES FORCED DRAFT
POOL HEATER (DR350-DR850)

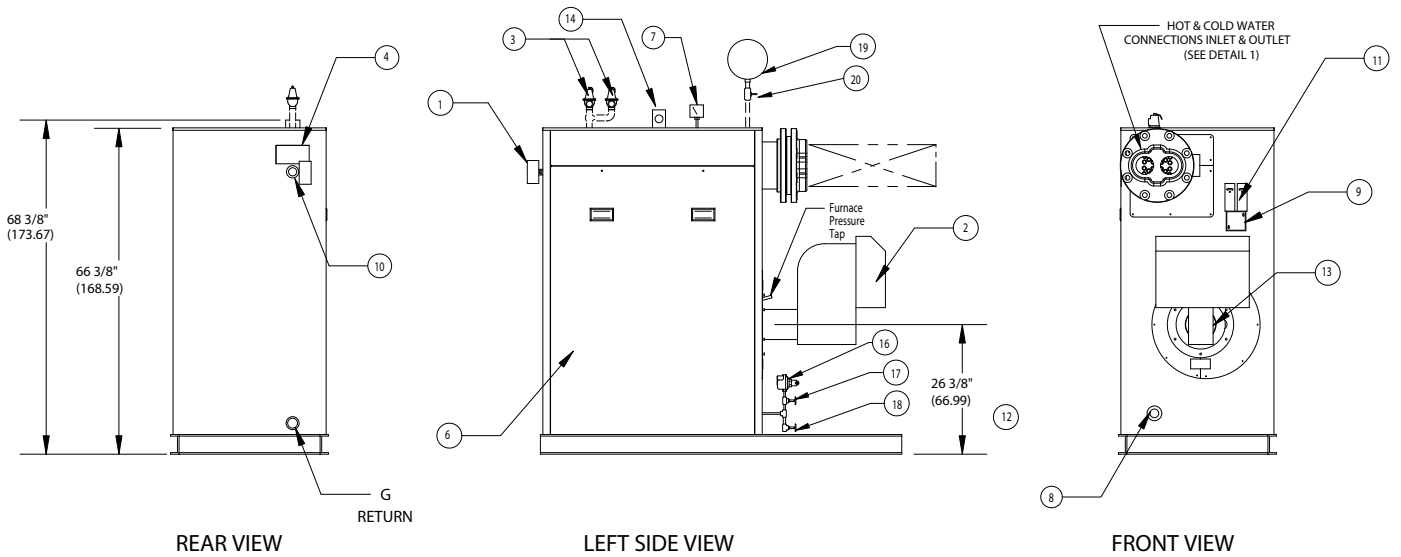
EFFECTIVE DATE: 3/24/04
REPLACES:

NOTES:

1. ALL DIMENSIONS ARE IN INCHES THOSE IN PARENTHESES ARE CENTIMETERS.
2. LOCATION DIMENSIONS ARE ALL ±1/2".
3. GAS TRAIN, CONTROL AND BURNER CONFIGURATION WILL VARY DEPENDING ON JOB SPECIFICATIONS & CONDITIONS.
4. DIMENSIONS ARE SUBJECT TO CHANGE WITHOUT NOTICE. CONSULT FACTORY FOR CERTIFIED DIMENSIONS.
5. COIL HEAD WILL ADD 1 9/16" TO OVERALL WIDTH. AND 8 1/4" TO LENGTH.



PLAN VIEW



REAR VIEW

LEFT SIDE VIEW

FRONT VIEW

1. PROBE TYPE L.W.C.O.-
2. FORCED DRAFT BURNER
3. RELIEF VALVE
4. ASME NAMEPLATE
5. CONTROL CONNECTION

6. JACKET ACCESS PANELS
7. PRESS./TEMP. GAUGE
8. CLNOUT./INSP. OPNG.-1 1/2"NPT
9. ELEC. ENCLOSURE-
10. AUX. CONNECTION 1 1/4" NPT

11. AQUASTATS
12. BURNER CENTER LINE
13. OIL PUMP LOCATION
14. LIFTING LUG
15. DRAIN CONNECTION

16. FILL VALVE
17. STOP VALVE
18. DRAIN VALVE
19. EXP TANK (SHIP LOOSE)
20. 1" GATE VALVE (BY OTHERS)

BOILER MODEL	DR350WP	DR450WP	DR650WP	DR850WP
A-LENGTH OVER JACKET	33 3/8" (84.77)	33 3/8" (84.77)	44 3/4" (113.66)	44 3/4" (113.66)
B-FLUE LOCATION	13 15/16" (35.39)	13 15/16" (35.39)	13 15/16" (35.39)	13 15/16" (35.39)
C-FLUE DIAMETER	6" (15.24)	6" (15.24)	8" (20.32)	8" (20.32)
D-LENGTH OVER BASE	62 1/8" (157.79)	62 1/8" (157.79)	73 1/2" (186.69)	73 1/2" (186.69)
G-SUPPLY / RETURN NOZZLE SIZE	2" (5.08)	2" (5.08)	2" (5.08)	2" (5.08)
H-BURNER EXTENSION	CONSULT FACTORY FOR BURNER EXTENSION APPLICATIONS			
J- HEAT EXCHANGER REMOVAL CLEARANCE	44 1/4" (112.39)	44 1/4" (112.39)	55 1/4" (140.33)	55 1/4" (140.33)

DR SERIES FORCED DRAFT POOL HEATER

BOILER MODEL		DR350	DR450	DR650	DR850
INPUT	MBH	350	450	650	850
	(KW)	102.5	131.8	190.4	249.0
OUTPUT*	MBH	280.0	360.0	520.0	680.0
	(KW)	82.0	105.5	152.4	199.2
BOILER HORSEPOWER*	HP	8	11	16	20
	(KW)	82	105	152	199
TUBE DIAMETER	INCHES	1.00	1.00	1.00	1.00
	(CM)	2.54	2.54	2.54	2.54
NUMBER OF TUBES		18	18	29	29
PRESSURE VESSEL					
VOLUME	GAL	20	20	30	30
	(L)	75.7	75.7	113.6	113.6
HEATING SURFACE	SQ FT	66	66	103	103
	(SQ M)	6.1	6.1	9.6	9.6
POOL HEAT EXCHANGER		UT8F2-xx-36	UT8F2-xx-36	UT8F2-xx-47	UT8F2-xx-47
	INCHES	36	36	47	47
	(CM)	91.4	91.4	119.4	119.4
OPERATING WEIGHT	LBS	1,445	1,445	2,050	2,050
	(KG)	655.5	655.5	929.9	929.9
SHIPPING WEIGHT	LBS	1,275	1,275	1,800	1,800
	(KG)	578.3	578.3	816.5	816.5
RELIEF VALVE TYPICAL 30 PSIG (206.8 KPA)					
QUANTITY		1	1	1	1
SIZE	INCHES	1 x 1	1 x 1	1 x 1-1/4	1 x 1-1/4
	(CM)	2.54 x 2.54	2.54 x 2.54	2.54 x 3.175	2.54 x 3.175
CAPACITY-TOTAL	MBH	1,000	1,000	1,300	1,300
	(KW)	293.0	293.0	380.9	380.9
RELIEF VALVE TYPICAL 60 PSIG (413.7 KPA)					
QUANTITY		1	1	1	1
SIZE	INCHES	3/4 x 1	3/4 x 1	3/4 x 1	3/4 x 1
	(CM)	1.90 x 2.54	1.90 x 2.54	1.90 x 2.54	1.90 x 2.54
CAPACITY-TOTAL	MBH	1,566	1,566	1,566	1,566
	(KW)	458.8	458.8	458.8	458.8

* Output based on nominal 80% of input. Actual combustion efficiencies will be higher and fuel dependent.
xx Number of tubes.