

EXHAUST HEADS (THREADED)

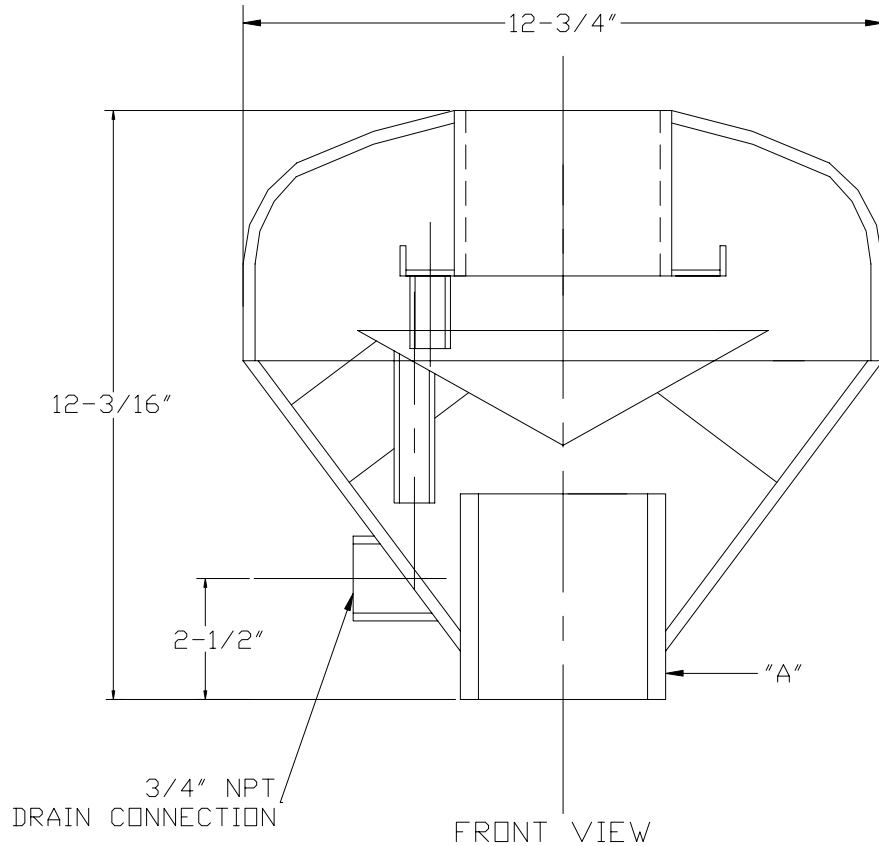
EFFECTIVE DATE: 2/1/04

REPLACES:

NOTES:

1. DIMENSIONS ARE SUBJECT TO CHANGE WITHOUT NOTICE. CONSULT FACTORY FOR CERTIFIED DIMENSIONS.

MATERIALS OF CONSTRUCTION : CARBON STEEL
EXTERNAL SURFACES PAINTED WITH ONE COAT OF HEAT RESISTANT ALUMINUM PAINT.



MODELS	DIMENSIONS
	A
HEH-1	1" NPT
HEH-1.5	1-1/2" NPT
HEH-2	2" NPT
HEH-2-1/2	2-1/2" NPT
HEH-3	3" NPT

B BRYAN STEAM

783 N. CHILI AVE.
PERU, INDIANA 46970

DWG. NO: A50869A

FORM NO: 2208