



Vertical Blowdown Tank

For boiler operating pressures from 0 to 200 psig

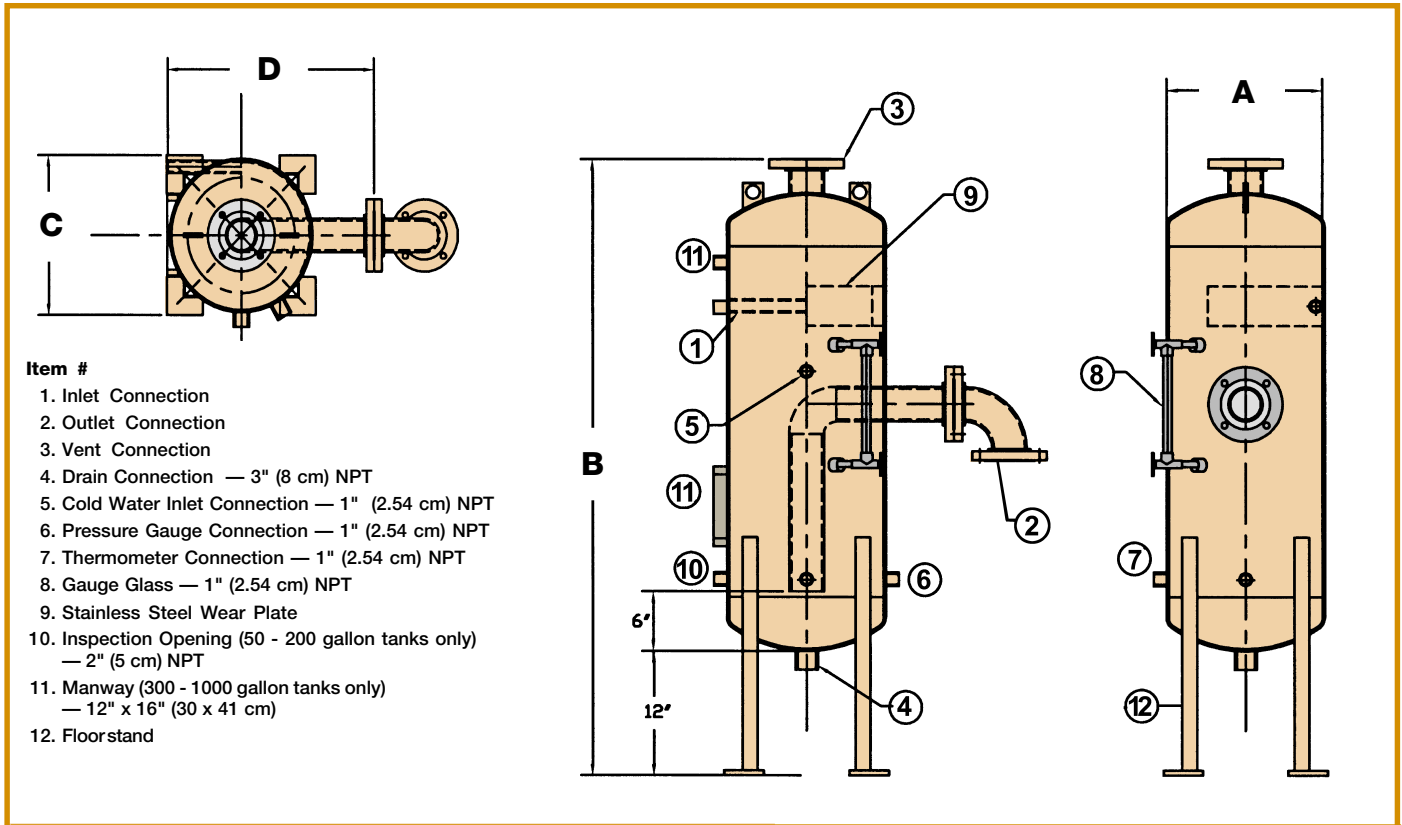


For efficient separation of steam from blowdown water

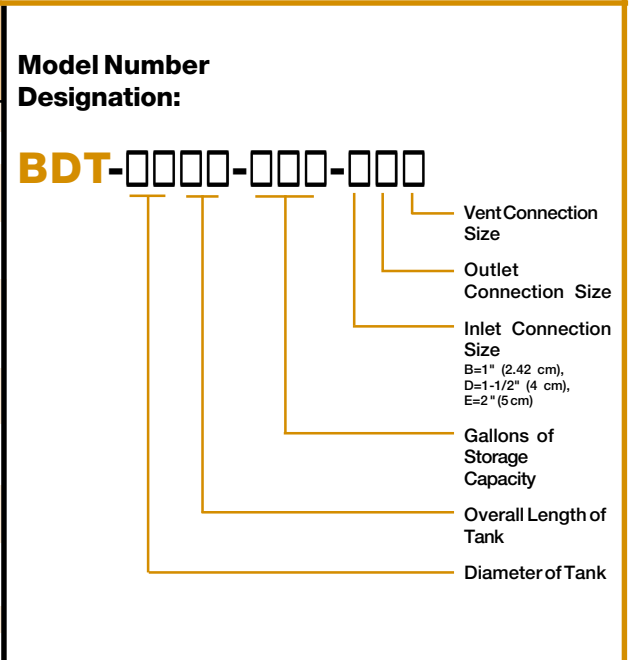
Bryan Blowdown Tanks vent off pressure in the form of dry steam to the atmosphere, collect blowdown water and drain to outside at reduced temperature. These blowdown tanks are equally applicable to new and existing boiler installations.

The tanks are designed to hold one boiler blowdown and they meet stringent New Jersey and National Board standards. Stainless steel wear plate protects inlet connection. Large vent connection assures quiet operation. Built to ASME code Sect. VIII for 50 psig. Wide range of standard sizes for boilers up to 200 psig. Models for higher pressures available.

Bryan Vertical Blowdown Tank



Model Number	DIMENSIONS—inches (cm)				Shipping Weight Lbs. (kg)
	A	B	C	D	
BDT-2447-050-D34	24 (61)	59 (150)	24½ (62)	30 (76)	670 (304)
BDT-2473-100-D34	24 (85)	85 (216)	24½ (62)	30 (76)	880 (399)
BDT-3072-150-D34	30 (76)	84 (213)	28½ (72)	35½ (90)	1070 (485)
BDT-3072-150-E55	30 (76)	84 (213)	28½ (72)	35½ (90)	1100 (499)
BDT-3089-200-B34	30 (76)	84 (213)	28½ (72)	35½ (90)	1100 (499)
BDT-3089-200-E55	30 (76)	101 (257)	28½ (72)	35½ (90)	1270 (576)
BDT-4276-300-E55	42 (107)	89 (226)	37 (94)	45½ (116)	1630 (739)
BDT-4879-400-B34	48 (122)	91 (231)	41½ (105)	51 (130)	1880 (853)
BDT-4879-400-E55	48 (122)	91 (231)	41½ (105)	51 (130)	1910 (866)
BDT-6072-500-B34	60 (152)	84 (213)	50 (127)	61 (155)	2110 (957)
BDT-6072-500-E55	60 (152)	84 (213)	50 (127)	61 (155)	2140 (971)
BDT-6080-600-B34	60 (152)	92 (234)	50 (127)	61 (155)	2300 (1043)
BDT-6080-600-E55	60 (152)	92 (234)	50 (127)	61 (155)	2330 (1057)
BDT-6089-700-B34	60 (152)	101 (257)	50 (127)	61 (155)	2490 (1129)
BDT-6089-700-E55	72 (183)	93 (236)	58½ (149)	71½ (182)	2520 (1143)
BDT-7281-800-B34	72 (183)	93 (236)	58½ (149)	71½ (182)	3180 (1442)
BDT-7281-800-E55	72 (183)	93 (236)	58½ (149)	71½ (182)	3210 (1456)
BDT-7286-900-E55	72 (183)	98 (249)	58½ (149)	71½ (182)	3330 (1510)
BDT-7292-1000-E55	72 (183)	104 (264)	58½ (149)	71½ (182)	3570 (1619)



Dimensions and specifications are subject to change without notice. Consult factory for certified dimensions.



Bryan Steam LLC — Leaders Since 1916
 783 N. Chili Ave., Peru, Indiana 46970 U.S.A.
 Phone: 765-473-6651 • Internet: www.bryanboilers.com
 Fax: 765-473-3074 • E-mail: bryanboilers@iquest.net