

**VERTICAL BLOWDOWN TANK
PER ASME SECTION VIII DIV. 1
MAWP 50 PSIG AT 365°F**

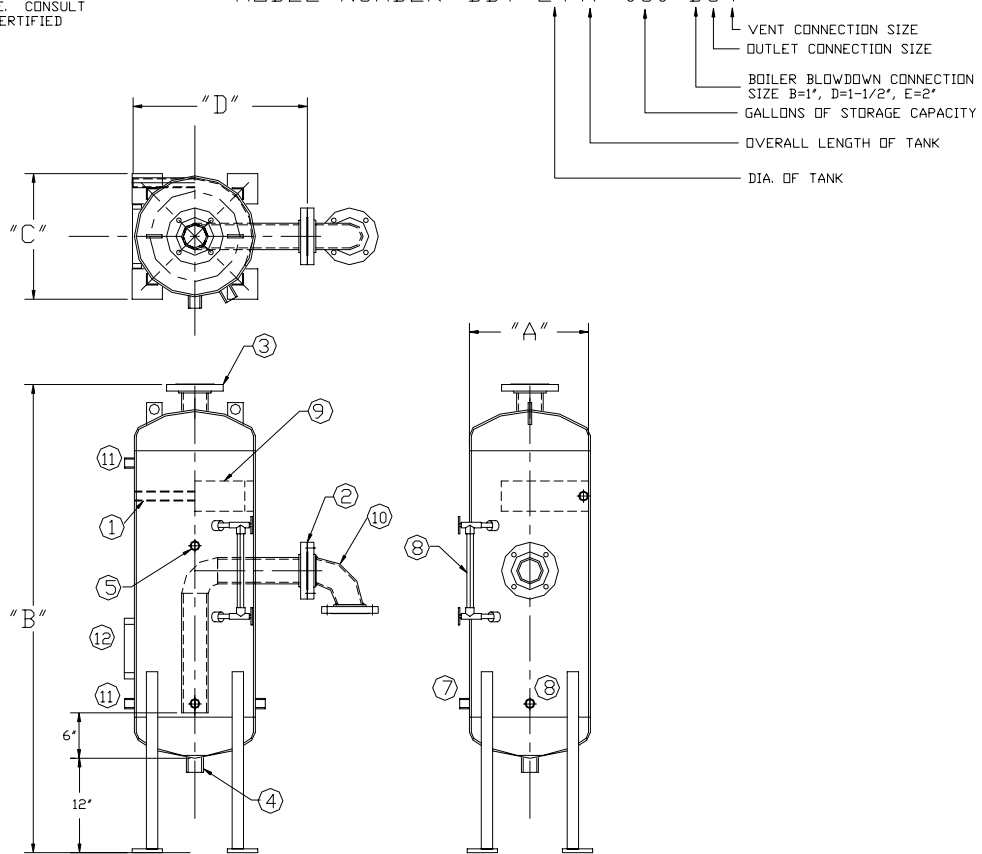
EFFECTIVE DATE: 2/21/02

REPLACES:

NOTES:

1. DIMENSIONS ARE SUBJECT TO CHANGE WITHOUT NOTICE. CONSULT FACTORY FOR CERTIFIED DIMENSIONS.

MODEL NUMBER: BDT-2447-050-D34



NOTES:

1. TANK DESIGN INCLUDES 1/16" CORROSION ALLOWANCE
2. TANK IS PAINTED WITH A GREY "PRIMER" COATING
3. HEAD AND SHELL THICKNESS IS 3/8" (MINIMUM)

DIMENSIONS

MODEL NUMBER	"A"	"B"	"C"	"D"	SHIPPING WT.	ITEM #	CONNECTION	SIZE
BDT-2447-050-D34	24'	58-3/8"	24-3/16"	30"	670 #	1	INLET CONNECTION	SEE CHART
BDT-2473-100-D34	24'	84-3/8"	24-3/16"	30"	880 #	2	OUTLET CONNECTION	SEE CHART
BDT-3072-150-D34	30"	83-7/8"	28-1/2"	35-1/4"	1070 #	3	VENT CONNECTION	SEE CHART
BDT-3072-150-E55	30"	83-15/16"	28-1/2"	35-1/4"	1100 #	4	DRAIN CONNECTION	3" NPT
BDT-3089-200-B34	30"	100-7/8"	28-1/2"	35-1/4"	1270 #	5	COLD WATER INLET CONNECTION	1" NPT
BDT-3089-200-E55	30"	100-15/16"	28-1/2"	35-1/4"	1300 #	6	PRESSURE GAUGE CONNECTION	1" NPT
BDT-4276-300-E55	42"	88-3/16"	37"	45-1/2"	1630 #	7	THERMOMETER CONNECTION	1" NPT
BDT-4879-400-B34	48"	90-1/2"	41-1/4"	50-5/8"	1880 #	8	GAUGE GLASS	1" NPT
BDT-4879-400-E55	48"	90-9/16"	41-1/4"	50-3/8"	1910 #	9	STAINLESS STEEL WEAR PLATE	
BDT-6072-500-B34	60"	83-5/8"	49-3/4"	60-11/16"	2110 #	10	OUTLET ELBOW	SEE CHART
BDT-6072-500-E55	60"	83-11/16"	49-3/4"	60-11/16"	2140 #	11	INSPECTION OPENING (50-200 GALLON TANKS ONLY)	2" NPT
BDT-6080-600-B34	60"	91-5/8"	49-3/4"	60-11/16"	2300 #	12	MANWAY (300- 1000 GALLON TANKS ONLY)	12"x16"
BDT-6080-600-E55	60"	91-5/8"	49-3/4"	60-11/16"	2330 #			
BDT-6089-700-B34	60"	100-5/8"	49-3/4"	60-11/16"	2490 #			
BDT-6089-700-E55	72"	92-5/16"	58-1/4"	71-1/8"	2520 #			
BDT-7281-800-B34	72"	92-3/8"	58-1/4"	71-1/8"	3180 #			
BDT-7281-800-E55	72"	92-3/8"	58-1/4"	71-1/8"	3210 #			
BDT-7286-900-E55	72"	97-3/8"	58-1/4"	71-1/8"	3330 #			
BDT-7292-1000-E55	72"	103-3/8"	58-1/4"	71-1/8"	3570 #			

BRYAN STEAM LLC

783 N. CHILI AVE
PERU, INDIANA 46970

DWG. NO.: A50851
FORM NO.: 2128