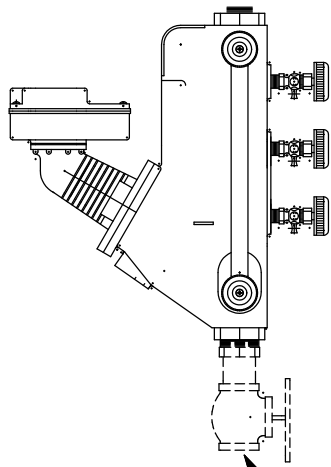
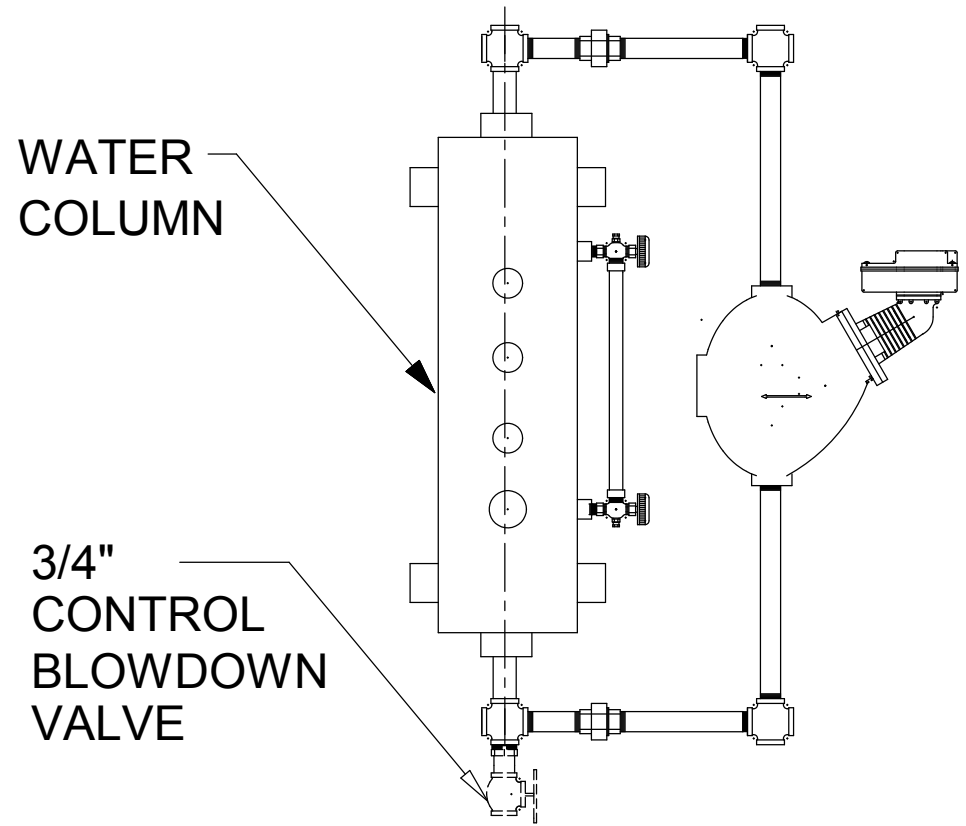


FEEDWATER CONTROL



3/4"
CONTROL
BLOWDOWN
VALVE

FEEDWATER CONTROL WITH WATER COLUMN



WATER
COLUMN

3/4"
CONTROL
BLOWDOWN
VALVE



BRYAN STEAM LLC
783 N CHILI AVE PERU IN 46970

DWG. TITLE:

**TYPICAL FIELD PIPING FOR
CONTROL BLOWDOWN
VALVE**

DRAWN BY:
CG

DATE:
10/31/01

SCALE:
NONE

DISK:

DWG. NO.:
A20899

FORM. NO.:
2276