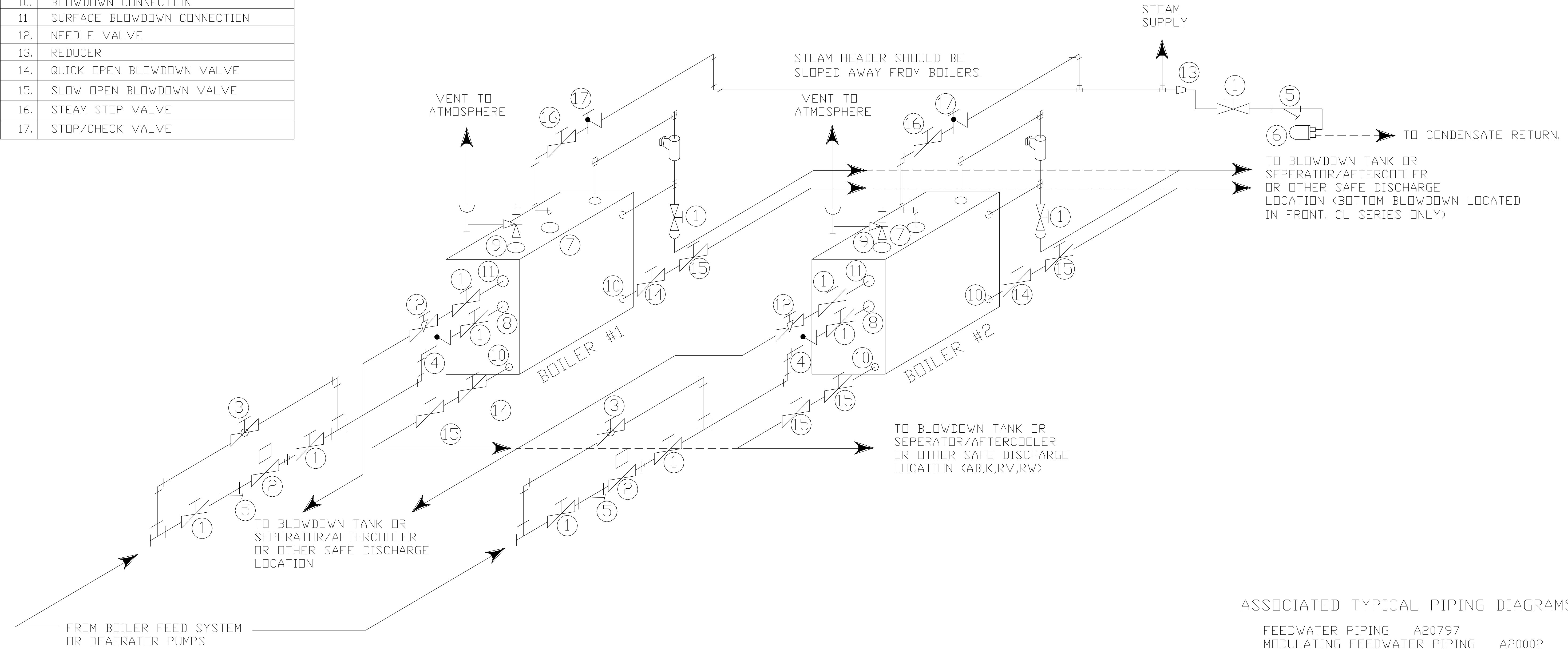


IDENTIFICATION KEY

1.	GATE VALVE
2.	SOLENOID / MOTORIZED VALVE
3.	GLOBE VALVE
4.	CHECK VALVE
5.	STRAINER
6.	F/T DRIP TRAP
7.	SUPPLY CONNECTION
8.	FEED CONNECTION
9.	RELIEF VALVE'S
10.	BLOWDOWN CONNECTION
11.	SURFACE BLOWDOWN CONNECTION
12.	NEEDLE VALVE
13.	REDUCER
14.	QUICK OPEN BLOWDOWN VALVE
15.	SLOW OPEN BLOWDOWN VALVE
16.	STEAM STOP VALVE
17.	STOP/CHECK VALVE



NOTE:

ALL PIPING, FITTINGS AND VALVES SELECTED ARE TO MEET OR EXCEED THE APPLICABLE ASME BOILER PRESSURE VESSEL CODE AND ASME PIPING CODE

ASSOCIATED TYPICAL PIPING DIAGRAMS

- FEEDWATER PIPING A20797
- MODULATING FEEDWATER PIPING A20002
- MANUAL BOTTOM BLOWDOWN PIPING A22527
- MANUAL BOTTOM BLOWDOWN PIPING (RW SERIES) A20456
- MANUAL SURFACE BLOWDOWN PIPING A20837

B **BRYAN STEAM LLC**
 783 NORTH CHILI AVE PERU, INDIANA 46970

DWG. TITLE: TYPICAL PIPING FOR MULTIPLE STEAM BOILERS

DRAWN BY:	DATE:	SCALE:	DISK:	DWG. NO.:	FORM. NO.:
CG	3/13/01	N/A	FS	B20836	2275