

BH Series Electric Boiler

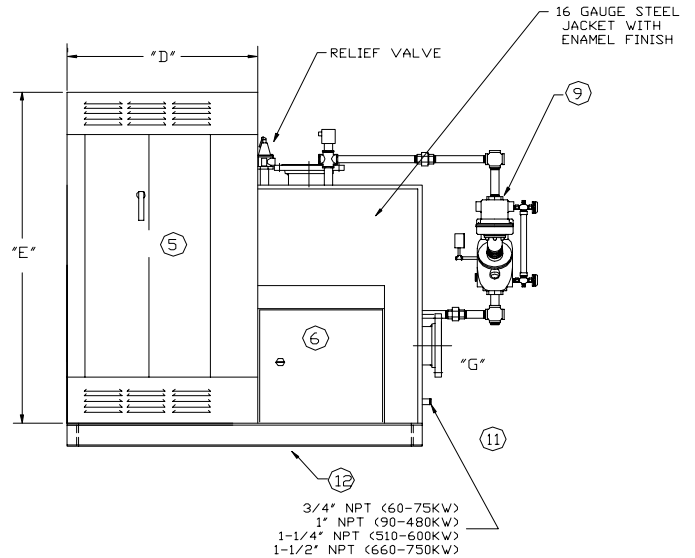
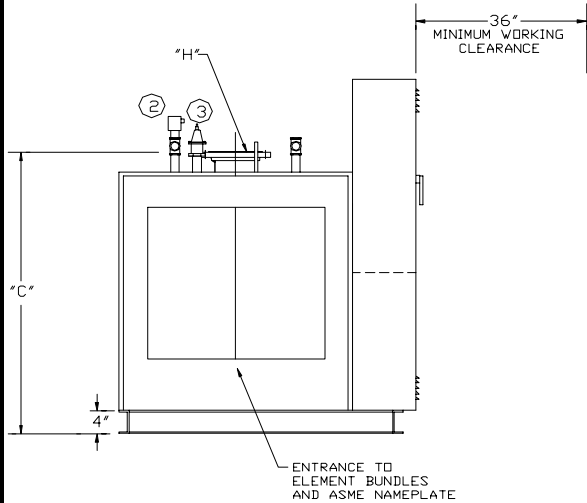
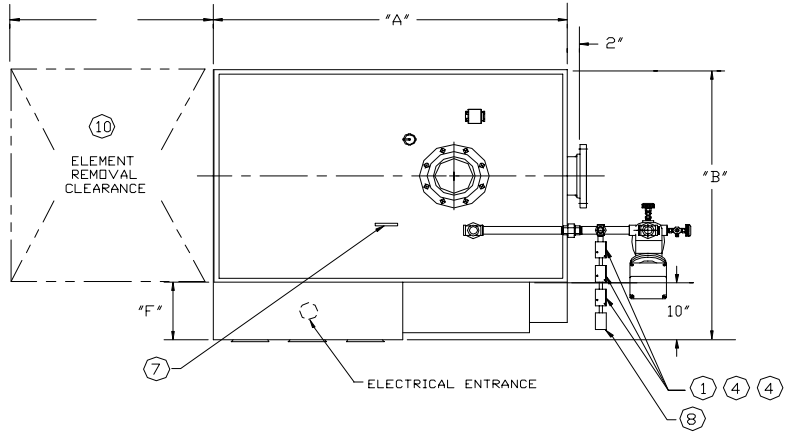
15# Steam Design 60kw to 480 kw

EFFECTIVE DATE: 3-1-04
REPLACED DATE: 2-18-82

NOTES:

1. DIMENSIONS ARE SUBJECT TO CHANGE WITHOUT NOTICE. CONSULT FACTORY FOR CERTIFIED DIMENSIONS.
2. TIE IN OF EXPANSION TANK CONNECTION IS ESSENTIAL TO INSURE PROPER OPERATION OF THE LOW WATER CUT-OFF FLOAT
3. NOT INTENDED FOR USE AS A PRINCIPAL HEATING SOURCE FOR LIVING SPACE OF AN INDIVIDUAL RESIDENCE

30" (60 KW THRU 480 KW)
55" (510 KW THRU 3000 KW)



1. OPERATOR
2. PROBE TYPE LWCO
3. RELIEF VALVE
4. PRESSURETROL

5. POWER PANEL
6. CONTROL PANEL
7. LIFTING LUGS
8. PRESSURE GAUGE

9. LWCO/PUMP CONTROL
10. ELEMENT ACCESS
11. DRAIN
12. STRUCTURAL STEEL BASE

KW	Dimensions				DxExF		Inlet	Outlet	KW	Dimensions				DxExF		Inlet	Outlet
	A	B	C		208-230/3/60	460-575/3/60	G	H		A	B	C		208-230/3/60	460-575/3/60	G	H
60	50"	41"	43"		30"x36"x10"	30"x36"x10"	2" 150#	3" 150#	210	56"	47"	49"		30"x66"x10"	30"x48"x10"	3" 150#	4" 150#
75	50"	41"	43"		30"x36"x10"	30"x36"x10"	2" 150#	3" 150#	225	56"	47"	49"		30"x66"x10"	30"x48"x10"	3" 150#	4" 150#
90	50"	41"	42-1/2"		30"x36"x10"	30"x36"x10"	2" 150#	3" 150#	240	56"	47"	49"		30"x66"x10"	30"x48"x10"	3" 150#	4" 150#
105	50"	41"	42-1/2"		30"x48"x10"	30"x36"x10"	2" 150#	3" 150#	270	60"	59"	61"		36"x72"x10"	30"x48"x10"	4" 150#	6" 150#
120	50"	41"	42-1/2"		30"x48"x10"	30"x36"x10"	2" 150#	3" 150#	300	60"	59"	61"		36"x72"x10"	30"x48"x10"	4" 150#	6" 150#
135	56"	47"	49"		30"x48"x10"	30"x36"x10"	3" 150#	4" 150#	330	60"	59"	61"		36"x72"x10"	30"x48"x10"	4" 150#	6" 150#
150	56"	47"	49"		30"x48"x10"	30"x36"x10"	3" 150#	4" 150#	360	60"	65"	67"		60"x82"x16"	30"x48"x10"	4" 150#	6" 150#
165	56"	47"	49"		30"x48"x10"	30"x36"x10"	3" 150#	4" 150#	390	60"	65"	67"		60"x82"x16"	30"x66"x10"	4" 150#	6" 150#
180	56"	47"	49"		30"x48"x10"	30"x36"x10"	3" 150#	4" 150#	420	60"	65"	67"		60"x82"x16"	30"x66"x10"	4" 150#	6" 150#
195	56"	47"	49"		30"x66"x10"	30"x48"x10"	3" 150#	4" 150#	480	60"	65"	67"		60"x82"x16"	30"x66"x10"	4" 150#	6" 150#



BRYAN BOILERS LLC

783 NORTH CHILI AVE
PERU, INDIANA 46970

FORM NO.:

2249