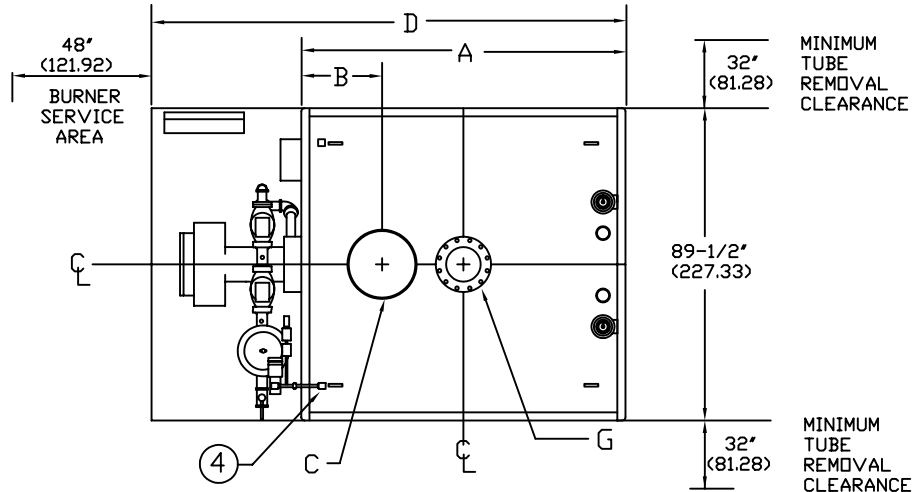


RW SERIES FORCED DRAFT 15# & 150#
STEAM BOILER (RW1700-RW2100)

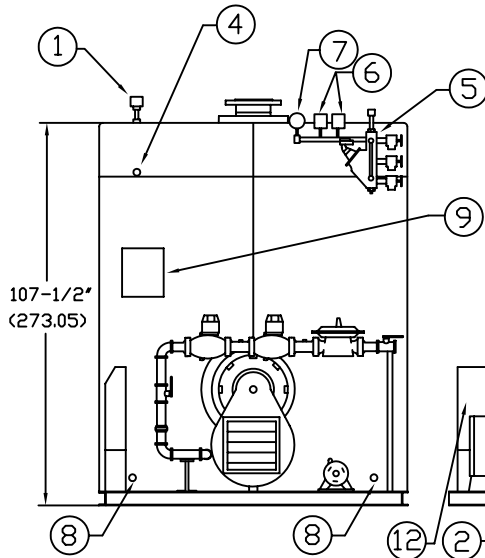
EFFECTIVE DATE: 9/18/03
REPLACES: 9/4/01

NOTES:

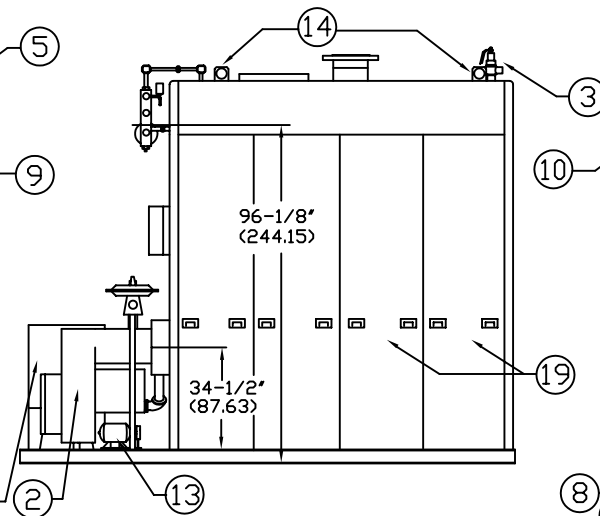
1. ALL DIMENSIONS ARE IN INCHES THOSE IN PARENTHESES ARE CENTIMETERS.
2. LOCATION DIMENSIONS ARE ALL $\pm 1/2"$.
3. GAS TRAIN, CONTROL AND BURNER CONFIGURATION WILL VARY DEPENDING ON JOB SPECIFICATIONS & CONDITIONS.
4. DIMENSIONS ARE SUBJECT TO CHANGE WITHOUT NOTICE. CONSULT FACTORY FOR CERTIFIED DIMENSIONS.
5. ALL FLANGES ARE 150# UNLESS OTHERWISE NOTED, FLANGES TO STRADDLE CENTER LINE.
6. ALL CONNECTIONS ARE FEMALE NPT.



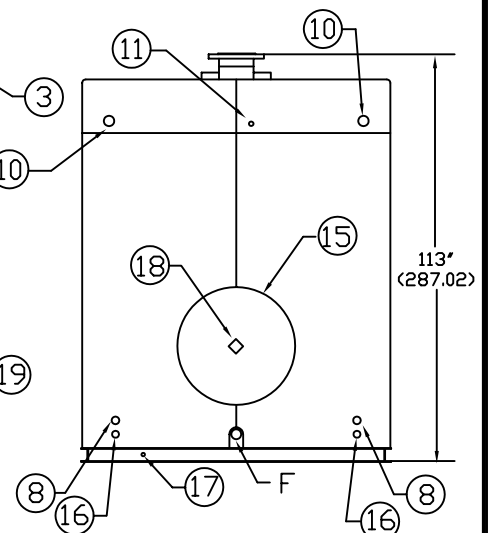
PLAN VIEW



FRONT VIEW



RIGHT SIDE VIEW



REAR VIEW

1. PROBE TYPE AUX. L.W.C.D.	6. PRESSURE CONTROLS	11. SURFACE BLOWDOWN - 1" NPT	16. 1" BLOWDOWN CONN.
2. FORCED DRAFT BURNER	7. PRESSURE GAUGE	12. BURNER CONTROL PANEL	17. DRAIN
3. RELIEF VALVE	8. CLNDUT./INSP. OPNG.-1 1/2"NPT	13. REMOTE OIL PUMP	18. FLAME OBSERVATION PORT
4. 1" CONTROL CONN.	9. ELEC. ENCLOSURE -	14. LIFTING LUGS	19. JACKET ACCESS PANEL
5. LWCO/PUMP CONTROL - 157	10. CLNDUT./INSP. OPNG. - 2" NPT	15. ACCESS DOOR COVER	20.

BOILER MODEL		RW1700	RW1900	RW2100
A-LENGTH OVER JACKET		201 1/2' (511.81)	224' (568.96)	246 1/2' (626.11)
B-FLUE LOCATION		38' (96.52)	39' (99.06)	40' (101.60)
C-FLUE DIAMETER		24' (60.96)	26' (66.04)	28' (71.12)
D-LENGTH OVER BASE		244 1/4' (620.40)	266 3/4' (677.55)	289 1/2' (735.33)
F-FEED CONN. SIZE		2' (5.08)	2' (5.08)	2' (5.08)
G-SUPPLY NOZZLE SIZE	15#	12' FLG. (30.48)	12' FLG. (30.48)	12' FLG. (30.48)
	150#	8' FLG. (20.32)	8' FLG. (20.32)	8' FLG. (20.32)



BRYAN BOILERS

783 N CHILI AVE
PERU, INDIANA 46970

ORDER NO.:	
ORDER REV. NO.:	
FORM NO.:	1967

RW SERIES FORCED DRAFT STEAM BOILERS

BOILER MODEL		RW1700	RW1900	RW2100	RW2100
INPUT	MBH	17,000	19,000	21,000	25,200
	(KW)	4,981.0	5,566.9	6,152.9	7,383.5
OUTPUT*	MBH	13,600	15,200	16,800	20,160
	(KW)	3,984.8	4,453.6	4,922.4	5,906.8
BOILER HORSEPOWER	HP	400	450	500	600
	(KW)	3,920.0	4,410.0	4,900.0	5,880.0
TUBE DIAMETER	INCHES	1.50	1.50	1.50	1.50
	(CM)	3.81	3.81	3.81	3.81
NUMBER OF TUBES		220	248	276	276
PRESSURE VESSEL					
VOLUME	GAL	1,280	1,415	1,555	1,555
	(L)	4,844.8	5,355.8	5,885.7	5,885.7
HEATING SURFACE	SQ FT	2,087	2,347	2,612	2,612
	(SQ M)	194.0	218.1	242.8	242.8
STEAM OUTPUT*					
	LBS/HR	14,020	15,670	17,319	20,783
	(KG/HR)	6,359.5	7,107.9	7,855.9	9,427.2
OPERATING WEIGHT	LBS	43,000	46,110	49,800	49,800
	(KG)	19,504.8	20,915.5	22,589.3	22,589.3
SHIPPING WEIGHT	LBS	32,400	34,300	36,800	36,800
	(KG)	14,696.6	15,558.5	16,692.5	16,692.5

* Output based on nominal 80% of input. Actual combustion efficiencies will be higher and fuel dependent.