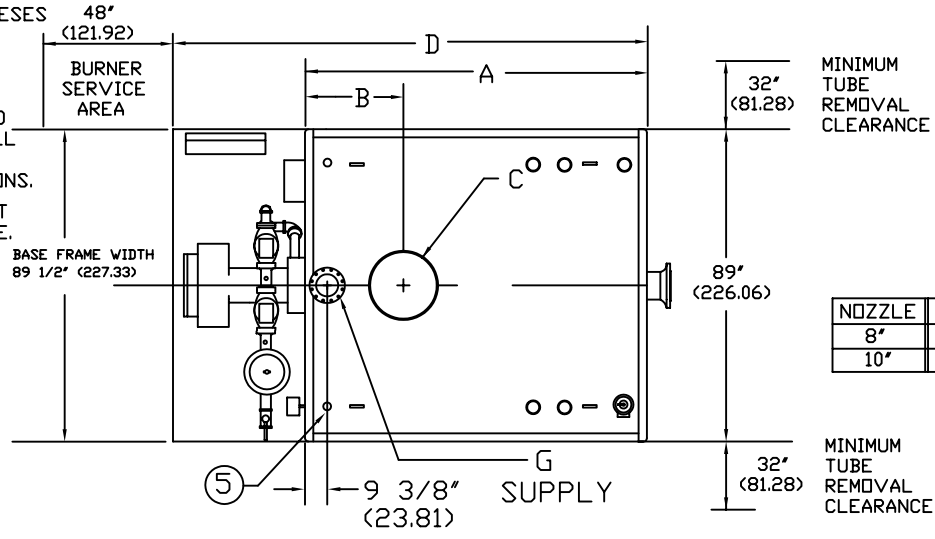


RW SERIES FORCED DRAFT WATER BOILERS (RW850-RW2100)

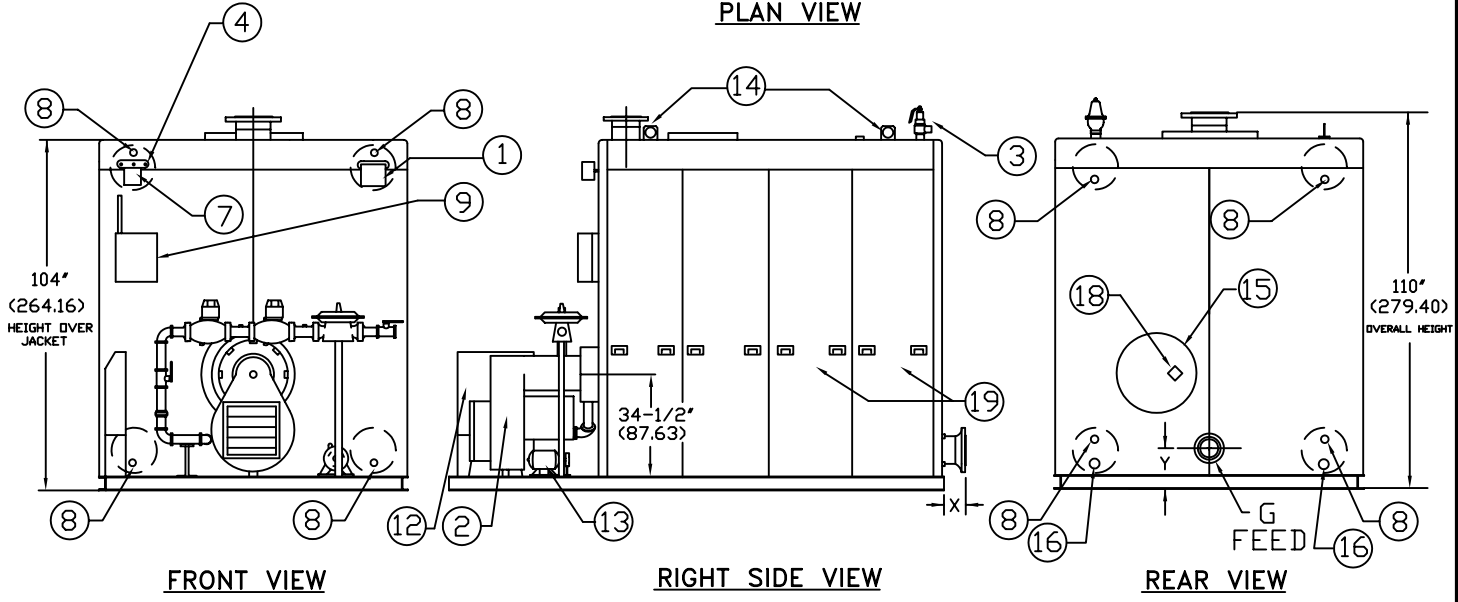
EFFECTIVE DATE: 8/12/10
REPLACES: 9/17/03

NOTES:

1. ALL DIMENSIONS ARE IN INCHES. THOSE IN PARENTHESES ARE CENTIMETERS.
2. LOCATION DIMENSIONS ARE ALL $\pm 1/2"$.
3. GAS TRAIN, CONTROL AND BURNER CONFIGURATION WILL VARY DEPENDING ON JOB SPECIFICATIONS & CONDITIONS.
4. DIMENSIONS ARE SUBJECT TO CHANGE WITHOUT NOTICE. CONSULT FACTORY FOR CERTIFIED DIMENSIONS.
5. ALL FLANGES ARE 150# UNLESS OTHERWISE NOTED.
6. ALL CONNECTIONS ARE FEMALE NPT.



PLAN VIEW



FRONT VIEW

RIGHT SIDE VIEW

REAR VIEW

- | | | | |
|-------------------------------|----------------------------------|--------------------------|----------------------------|
| 1. PROBE TYPE L.W.C.O. | 7. PRESSURE/TEMP GAUGE | 12. BURNER CONTROL PANEL | 16. 2" BLOWDOWN CONN. |
| 2. FORCED DRAFT BURNER | 8. CLNDUT./INSP. OPNG.-1 1/2"NPT | 13. REMOTE OIL PUMP | 17. DRAIN |
| 3. RELIEF VALVE | 9. ELEC. ENCLOSURE - | 14. LIFTING LUGS | 18. FLAME OBSERVATION PORT |
| 4. CONTROL CONN. | | 15. ACCESS DOOR COVER | 19. JACKET ACCESS PANEL |
| 5. 1" CONTROL & EXP TANK CONN | | | |

BOILER MODEL	RW850	RW1050	RW1260	RW1500	RW1700	RW1900	RW2100
A-LENGTH OVER JACKET	124" (314.96)	134" (340.36)	156 1/2" (397.51)	179" (454.66)	201 1/2" (511.81)	224" (568.96)	246 1/2" (626.11)
B-FLUE LOCATION	36" (91.44)	36" (91.44)	37" (93.98)	37" (93.98)	38" (96.52)	39" (99.06)	40" (101.60)
C-FLUE DIAMETER	20" (50.80)	20" (50.80)	22" (55.88)	22" (55.88)	24" (60.96)	26" (66.04)	28" (71.12)
D-LENGTH OVER BASE	163 3/4" (415.93)	176 5/8" (448.63)	199 1/4" (506.10)	221 3/4" (563.25)	244 1/4" (620.40)	266 3/4" (677.55)	289 1/2" (735.33)
G-SUPPLY / FEED NOZZLE SIZE	8" FLG. (20.32)	8" FLG. (20.32)	8" FLG. (20.32)	8" FLG. (20.32)	8" FLG. (20.32)	10" FLG. (25.4)	10" FLG. (25.4)



BRYAN BOILERS

783 N CHILI AVE
PERU, INDIANA 46970

ORDER NO.:
ORDER REV. NO.:
FORM NO. 2174

RW SERIES FORCED DRAFT WATER BOILER

BOILER MODEL		RW850	RW1050	RW1260	RW1500	RW1700	RW1900	RW2100	RW2100
INPUT	MBH	8,500	10,500	12,600	15,000	17,000	19,000	21,000	25,200
	(KW)	2,490.5	3,076.5	3,691.8	4,395.0	4,981.0	5,566.9	6,152.9	7,383.5
OUTPUT*	MBH	7,140	8,820	10,584	12,600	14,280	15,960	17,640	20,412
	(KW)	2,092.0	2,584.2	3,101.1	3,691.8	4,184.0	4,676.2	5,168.5	5,980.7
BOILER HORSEPOWER*	HP	213	263	316	376	427	477	527	610
	(KW)	2,090	2,582	3,099	3,689	4,181	4,672	5,164	5,976
TUBE DIAMETER	INCHES	1.50	1.50	1.50	1.50	1.50	1.50	1.50	1.50
	(CM)	3.81	3.81	3.81	3.81	3.81	3.81	3.81	3.81
NUMBER OF TUBES		120	136	164	192	220	248	276	276
PRESSURE VESSEL									
VOLUME	GAL	472	522	608	695	781	868	955	955
	(L)	1,786.5	1,975.8	2,301.3	2,630.6	2,956.1	3,285.4	3,614.7	3,614.7
HEATING SURFACE	SQ FT	1,118	1,266	1,527	1,787	2,048	2,308	2,569	2,569
	(SQ M)	103.9	117.7	141.9	166.1	190.3	214.5	238.8	238.8
OPERATING WEIGHT	LBS	20,640	22,895	25,845	28,870	31,430	34,200	36,770	36,770
	(KG)	9,362.3	10,385.2	11,723.3	13,095.4	14,256.6	15,513.1	16,678.9	16,678.9
SHIPPING WEIGHT	LBS	16,700	18,540	20,770	23,070	24,910	26,950	28,800	28,800
	(KG)	7,575.1	8,409.7	9,421.3	10,464.6	11,299.2	12,224.5	13,063.7	13,063.7

* Output and Boiler HP based on an average natural gas combustion efficiency.